

Industrial Workstation

▶ **AWK - 4310**



▶ FEATURES

- **8" High Brightness TFT LCD (400 cd/m²)**
- **SVGA (800x600) Resolution**
- **Complete function in a 19" 4U chassis with 14-slot backplane**
- **Lockable Front panel door and keyboard drawer**
- **2 USB ports (on front chassis)**

▶ INTRODUCTION

AWK-4310 is a P4 or VIA Eden based 4U height workstation with 8" TFT high brightness LCD (400 nits) display. It features an 88-key keyboard drawer and mouse pad for easy operation as well as to provide the better protection for any unauthorized operation.

It has a wide range of industrial applications and features at a reasonable price expected by both end-users and OEM.



2600 Boyce Plaza Road
Pittsburgh, PA 15241

Phone: 412-257-2620

Fax: 412-257-2649

E-mail: sales@aplexusa.com

[Http://www.aplexusa.com](http://www.aplexusa.com)

AWK SERIES



▶ Industrial Workstation

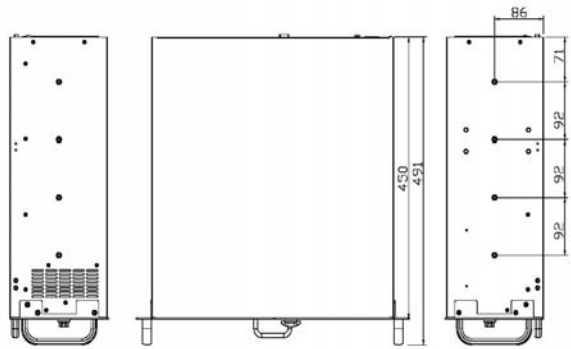
Display Specifications

AWK - 4310

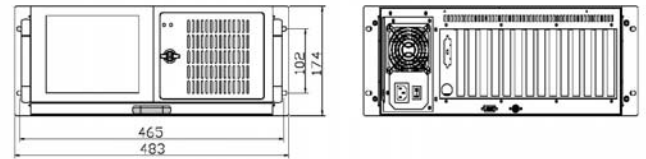
LCD	8" TFT LCD 800x600 400 cd/m ²
OSD Control	Front panel locking door system on/off power switch On/off Keyboard /TouchPad drawer switch OSD Key Pads switch
Viewing angle	130° (R/L)
Interface	Analog VGA

Mechanical Specifications

Construction	Steel
Front Panel Color	Black
Drive Bays	3 x 5.25" , Designed with an anti-vibration card clamp that keep the system stable
Operating Temperature	0-50°C
Storage Temperature	-10°C - 75°C
Cooling Fans	Two 9cm cooling fans; 38x2 CFM
Vibration	5 - 17HZ, 0,1" double amplitude displacement 17 - 640HZ, 1.5G acceleration peak to peak
Shock	10G acceleration peak to peak (11ms)
EMC	FCC/CE A level certified
I/O Ports	Two USB, One PS/2, One(15pin) VGA
Dimension	483(W) x 174(H) x 450(D)mm
NET/GW	19(Kg)/43lbs



AWK-4310



Note: All specifications are subject to change without notice.



Phone: 412-257-2620
 Fax: 412-257-2649
 E-mail: sales@aplexusa.com
 Http://www.aplexusa.com

2600 Boyce Plaza Road
 Pittsburgh, PA 15241