



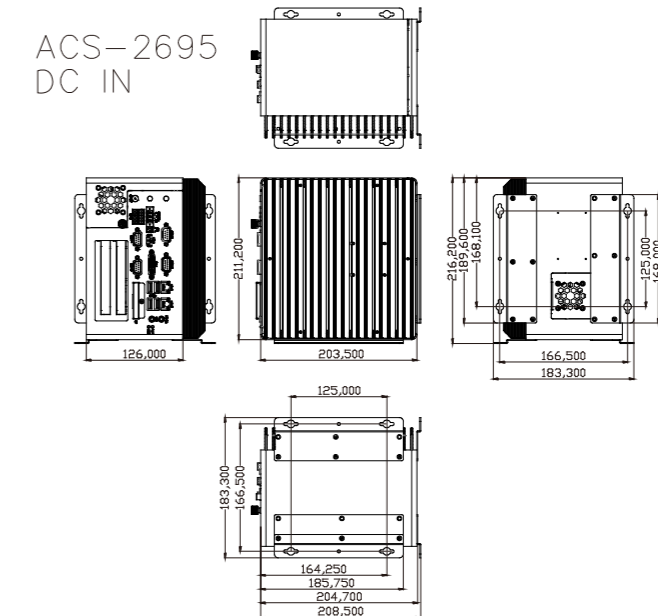
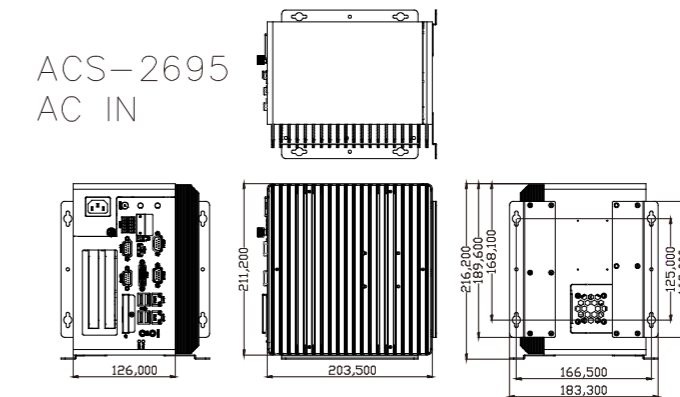
Features

- Socket G2, 2nd Generation Intel Core i7/i5/i3
- Intel QM67 PCH
- Fanless Design
- 2 x 204 Pin DDR3 SO-DIMM, default 4GB (one slot), up to 16GB 1066/1333MHz
- Support 1 x PCIe x16 and 1 x PCI slot
- 9~32V DC input
- Optional AC power input
- Optional Din Rail Mounting

Specifications

System	
Processor	Support Socket G2, 2nd Generation Intel Core i7/i5/i3, up to i7 2620M
System Chipset	Intel QM67 PCH
Outside I/O ports	<ul style="list-style-type: none"> • 2 x DB9 RS-232 (COM1.2) • 1 x DVI-I • 2 x RJ45 GbE LAN • 4 x USB 2.0 • 1 x Mic-in, Line-Out • 1 x DC Power 3 Pin terminal block connector • 1 x 2 pin power switch connector • 2 x LED indication • 1 x Power button switch • 1 x COM 422/485 (COM3, default:RS-485) • 1 x COM RS-232 (COM4) • 1 x 10 Pin terminal block for • 1 x 10 Pin terminal block for 1 Ground/VCC/ 4 in & out DIDO
System Memory	2 x 204 Pin DDR3 SO-DIMM, default 4GB (one slot), up to 16GB 1066/1333MHz
Storage	2 x 2.5" SATA HDD space 1 x external CF slot
Power Input	DC 9~32V, Optional AC power input
Expansion Slots	1 x PCIe x16 and 1 x PCI slot
CD/DVD-R Device	Optional
OS Support	Windows XP Embedded, Windows Embedded Standard 7, Windows 7 Pro for Embedded
Wi-Fi	2 x 40x40mm System Fan space (rear and front)

Dimension



Mechanical

Construction	Steel and Aluminum Heat sink
Mounting	Wall Mount, optional Din Rail Mounting
Dimension	211.2(W)x203.5(H)x155(D) mm 211.2(W)x203.5(H)x177(D) mm (with DVD device)
Net Weight	59kgs

Environmental

Operating Temperature	0~50 °C
Storage Temperature	-20 °C~60 °C
Storage Humidity	10~90% @ 40 °C non-condensing
Certificate	CE / FCC Class A